

NOTES:

1. Output voltage in table 1 with 120VAC applied and fully loaded.
2. Maximum no load input current : 1.4A
3. Enclosure Temperature does not exceed 75°C in a 40°C ambient, fully loaded.
4. The actual transformer 1200VA is encapsulated in the enclosure.
5. The transformer is dimmable with all dimmers that provide symmetrical form of the current under any condition.
6. Input leads are 18 AWG output leads are 12 AWG. Lead insulation is 105°C.
7. The transformer uses a class B (130°C) insulation system.
8. The transformer has a manual reset thermal 15A circuit breaker on the primary side, or manual reset magnetic 25A circuit breakers on the secondary side.
9. Wiring compartment has 4 knockouts sized for 3/4 inch screw cable connectors.
10. The wiring compartment cover hinged with rivets and opens vertically from bottom to top.
11. The enclosure, available in black powder coated or stainless steel is NEMA 3R rated.
12. The Transformer is UL listed. UL file number: E194005.
13. The label contains Technomagnet's catalog number and electrical rating.
14. The boost tap option is indicated by the marked check box on the label.

TechnoMagnet
Lighting Transformers

LOW VOLTAGE LIGHTING TRANSFORMER

CX - 1200

<p>PRIMARY 120V/ 60Hz</p>	<p>SECONDARY CENTER TOP 2 X 23 V OR 4 X 11.5 V MAX. 300W PER CIRCUIT)</p>
--------------------------------------	--

MAXIMUM 1200W

UL
LISTED
PRODUCT IDENTITY
57TB

12V/24V Primary
 24V Secondary
 Terminal Block Boost tap

www.technomagnet.com

ENCLOSURE TYPE
3R OUTDOOR

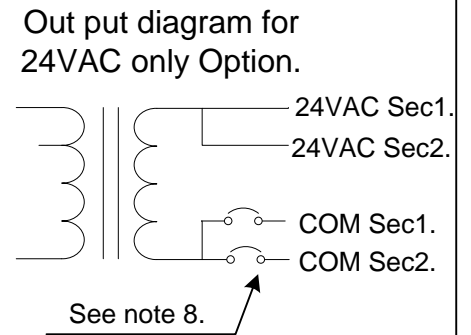
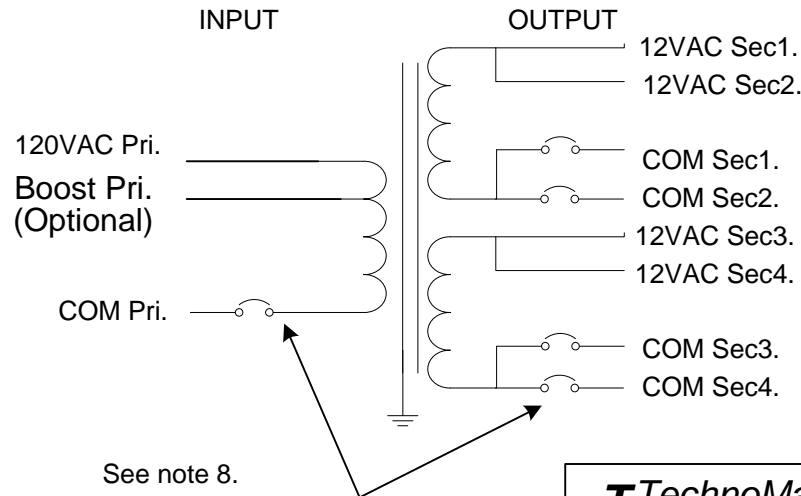


Table 1.

Output Volts	
120VAC	Boost
4 X 12	4 X 13

TechnoMagnet LTD.		15414 Cabrito Road Unit A Van Nuys, CA 91406	
Interactive Lighting Servers			
NAME	DATE	SING.	PAGE ____
DRW.			SCALE no scale
CHK.			OF ____
APV.			TOLERANCE ±
PART No.ODX - 1200 REV. A			DESCRIPTION: Compact outdoor 12V 1200VA Low voltage Transformer.