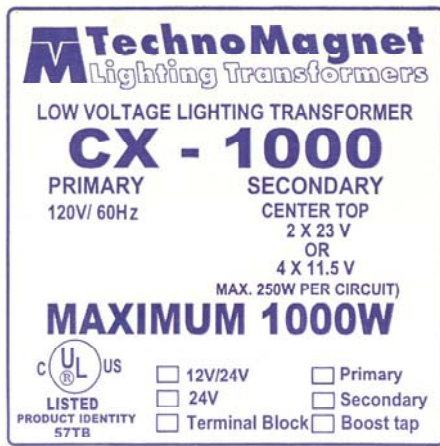
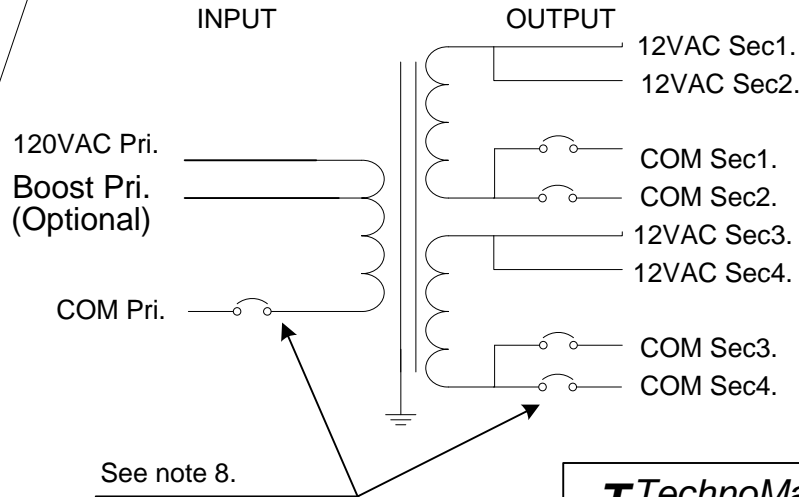


**NOTES:**

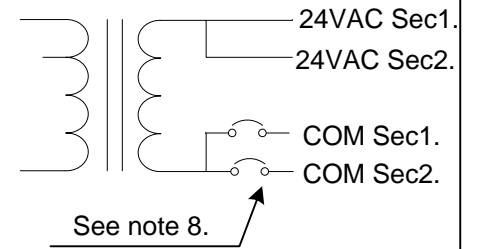
1. Output voltage in table 1 with 120VAC applied and fully loaded.
2. Maximum no load input current : 1.4A
3. Enclosure Temperature does not exceed 70°C in a 40°C ambient, fully loaded.
4. The actual transformer 1000VA is encapsulated in the enclosure.
5. The transformer is dimmable with all dimmers that provide symmetrical form of the current under any condition.
6. Input leads are 18 AWG output leads are 12 AWG. Lead insulation is 105°C.
7. The transformer uses a class B (130°C) insulation system.
8. The transformer has a manual reset thermal 12A circuit breaker on the primary side, or manual reset magnetic 25A circuit breakers on the secondary side.
9. Wiring compartment has 4 knockouts sized for 3/4 inch screw cable connectors.
10. The wiring compartment cover hinged with rivets and opens vertically from bottom to top.
11. The enclosure, available in black powder coated or stainless steel is NEMA 3R rated.
12. The Transformer is UL listed. UL file number: E194005.
13. The label contains Technomagnet's catalog number and electrical rating.
14. The boost tap option is indicated by the marked check box on the label.



**ENCLOSURE TYPE  
3R OUTDOOR**



Out put diagram for 24VAC only Option.



See note 8.

**Table 1.**

Output Volts	
120VAC	Boost
4 X 12	4 X 13

<b>Technomagnet LTD.</b> Interactive Lighting Servers		15414 Cabrito Road Unit A Van Nuys, CA 91406	
<input checked="" type="checkbox"/>	NAME	DATE	SING.
DRW.			
CHK.			
APV.			
PART No.ODX - 1000 REV. A			
PAGE ____	SCALE no scale		
OF ____	TOLERANCE ±		
DESCRIPTION: Compact outdoor 12V 1000VA Low voltage Transformer.			