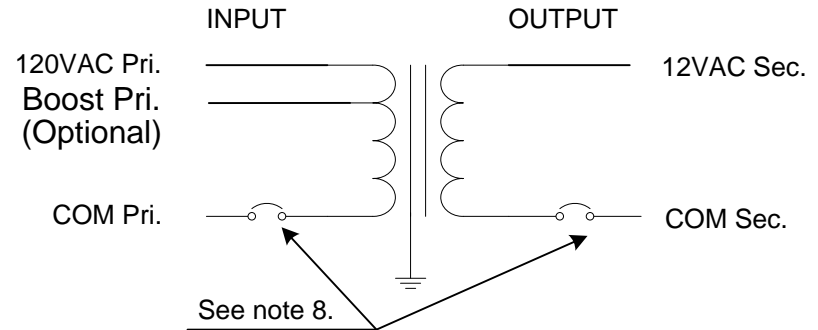
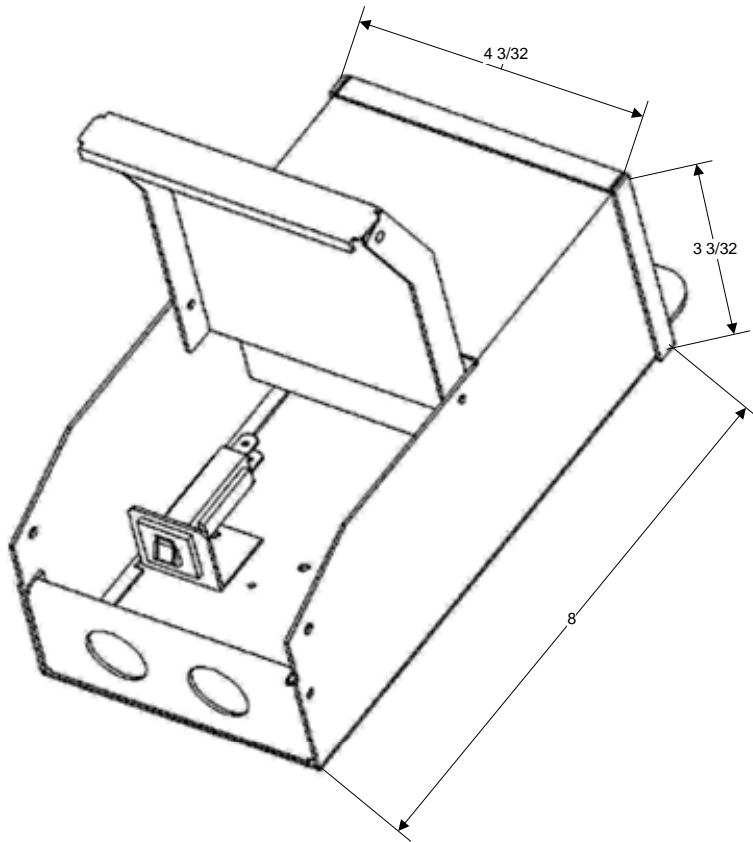


**NOTES:**

1. Output voltage in table 1 with 120VAC applied and fully loaded.
2. Maximum no load input current : 0.6A
3. Enclosure Temperature does not exceed 65°C in a 40°C ambient, fully loaded.
4. The actual transformer 300VA is encapsulated in the enclosure.
5. The transformer is dimmable with all dimmers that provide symmetrical form of the current under any condition.
6. Input leads are 18 AWG output leads are 12 AWG. Lead insulation is 105°C.
7. The transformer uses a class B (130°C) insulation system.
8. The transformer has a manual reset thermal 4A circuit breaker on the primary side, or a 25A circuit breaker on the secondary side indicated by the marked check box on the label.
9. Wiring compartment has 2 knockouts sized for 3/4 inch screw cable connectors.
10. The wiring compartment cover hinged with rivets and opens vertically from bottom to top.
11. The enclosure, available in black powder coated or stainless steel is NEMA 3R rated.
12. The Transformer is UL listed. UL file number: E194005.
13. The label contains Technomagnet's catalog number and electrical rating.
14. The boost tap option is indicated by the marked check box on the label.



**Table 1.**

Output Volts	
120AC	Boost
12	13

**TechnoMagnet**  
Lighting Transformers

LOW VOLTAGE OUTDOOR LIGHTING TRANSFORMER

**C - 300**

<b>PRIMARY</b> 120W - 60Hz 2.73 A	<b>SECONDARY</b> 11.5V OPEN CIRCUIT VOLTS:12.3V
---	---

**MAXIMUM 300W**

UL US  Terminal Block  Primary  
 Secondary  
 Boost tap

LISTED PRODUCT IDENTITY 57TB

www.technomagnet.com

**ENCLOSURE TYPE  
3R OUTDOOR**

<b>TechnoMagnet LTD.</b>		15414 Cabrito Road Unit A Van Nuys, CA 91406	
<b>Interactive Lighting Servers</b>			
NAME	DATE	SING.	PAGE ____
DRW.			OF ____
CHK.			SCALE no scale
APV.			TOLERANCE ±
PART No. <b>ODC - 300</b> REV. <b>A</b>			DESCRIPTION: Compact outdoor 12V 300VA Low voltage Transformer.